

Metaltag

Step one: LOADING APPLICATOR

1. Hold the applicator in your hand with the indented plate downwards. Then pull the tag firmly into the plier with your forefinger, making sure that the point of the tag is downwards and ready for use.

2. The tag must fit firmly into the base plate, you should hear the tag click into place ready for insertion.

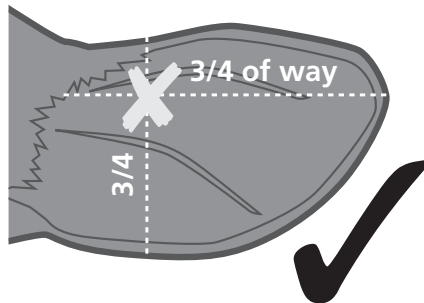
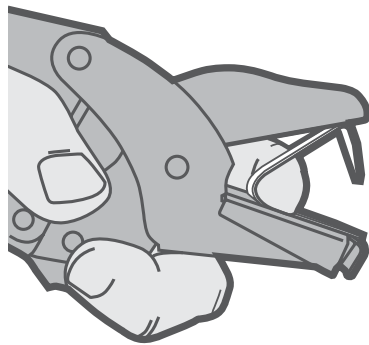
Step two: APPLICATION

3. A positive pressure on the applicator is all that is necessary to lock the tag onto the animal's ear. Quickly and simple.

For maximum retention, care must be taken to position the tag allowing enough room for the animal's ear to grow inside the loop of the tag. While this may vary depending upon the age of the animal we suggest that at least 8mm (or just over 1/4") be left between the edge of the ear and the end of the tag.

It may also be an advantage to apply a disinfectant at the same time. We do not generally recommend the fitting of plastic and metal tags in the same ear.

Ensure that your applicator is not damaged and is in good working order. It is an important precision tool, treat it with care.



CUSTOMER SERVICE

In the unlikely event that your applicator is damaged or tags have been damaged in transit, telephone our customer services dept. immediately. Where we shall do our utmost to solve the problem.

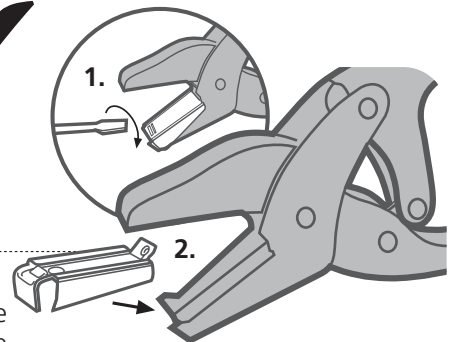
Special Insert

There may be a number of customers who do not already have a Dalton Metaltag Applicator and you may find that your existing applicator does not apply the Dalton Metal Tag effectively enough. Hence we have produced a special steel insert which will fit most other applicators on the market today.

This insert is simple to fit and will quickly adapt your existing applicator to suit the Dalton Tag.

1. Insert a flat ended screwdriver under the existing anvil insert, twist and remove.

2. Push the new insert narrow open end first into the applicator jaw until it clicks into position.



A new insert should already be enclosed but should you require another, please do not hesitate to contact our sales department. **Inserts are Free** (max. two) per customer.

**For assistance or a
free Catalogue or samples call;**

+44 (0) 1491 419 000

or email: info@daltonid.com