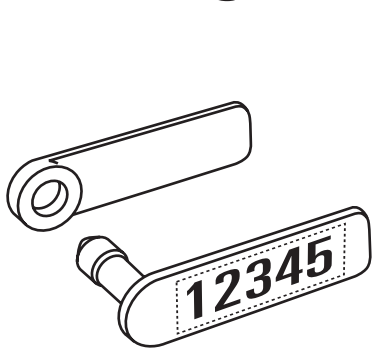
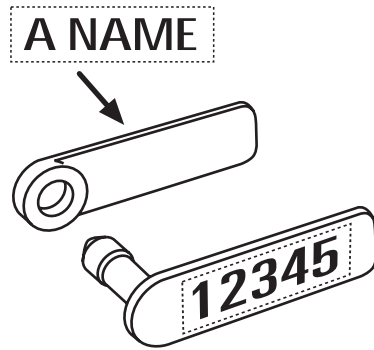


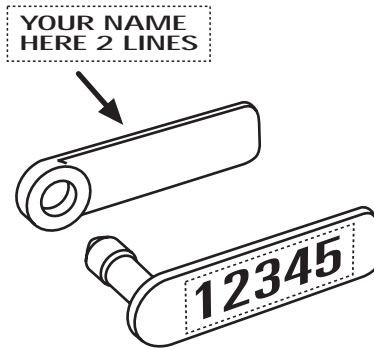
# Rototag TDL0



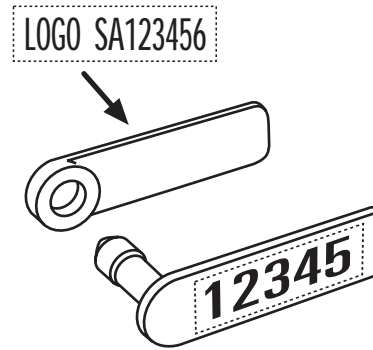
**TPRT1**  
Print Option 1



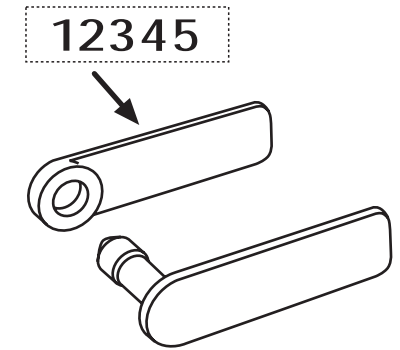
**TPRT2**  
Print Option 2



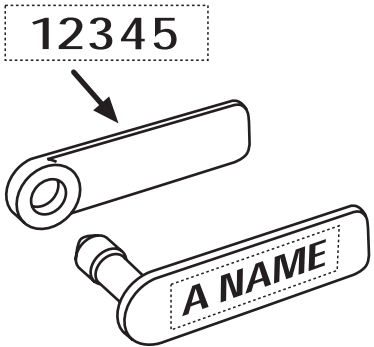
**TPRT3**  
Print Option 3



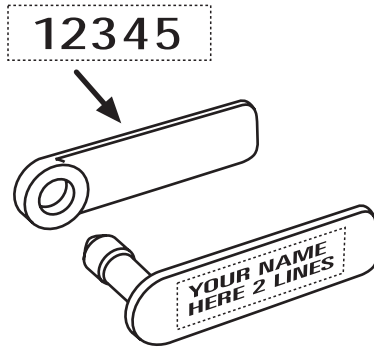
**TPRT4**  
Print Option 4  
(NLIS)



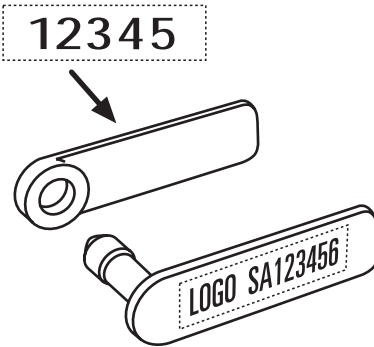
**TPRT5**  
Print Option 5



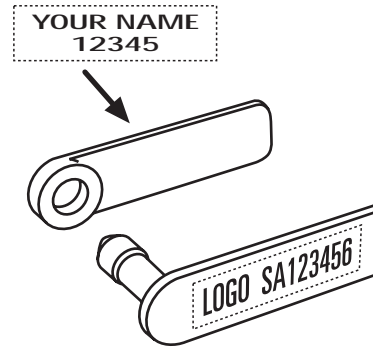
**TPRT6**  
Print Option 6



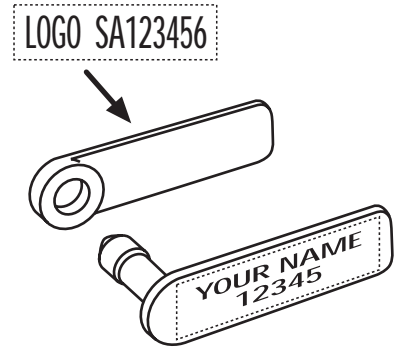
**TPRT7**  
Print Option 7



**TPRT8**  
Print Option 8  
(NLIS)



**TPRT9**  
Print Option 9  
(NLIS)



**TPRT0**  
Print Option 0  
(NLIS)